

2VGR25 250V P/N B22-E2

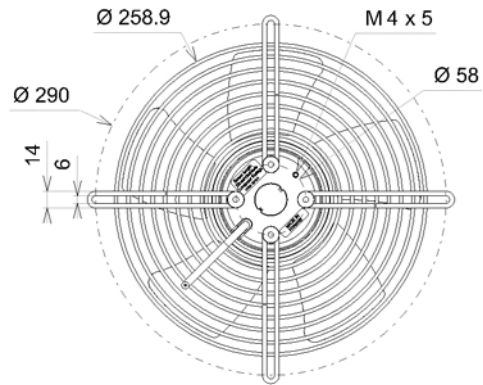
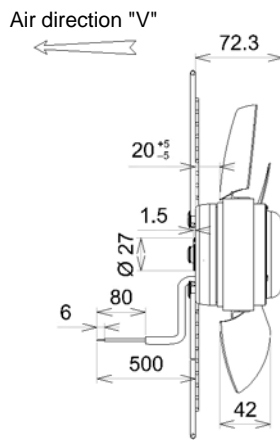
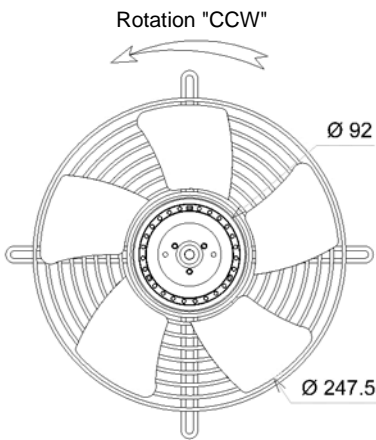
Substitute for Z21-15



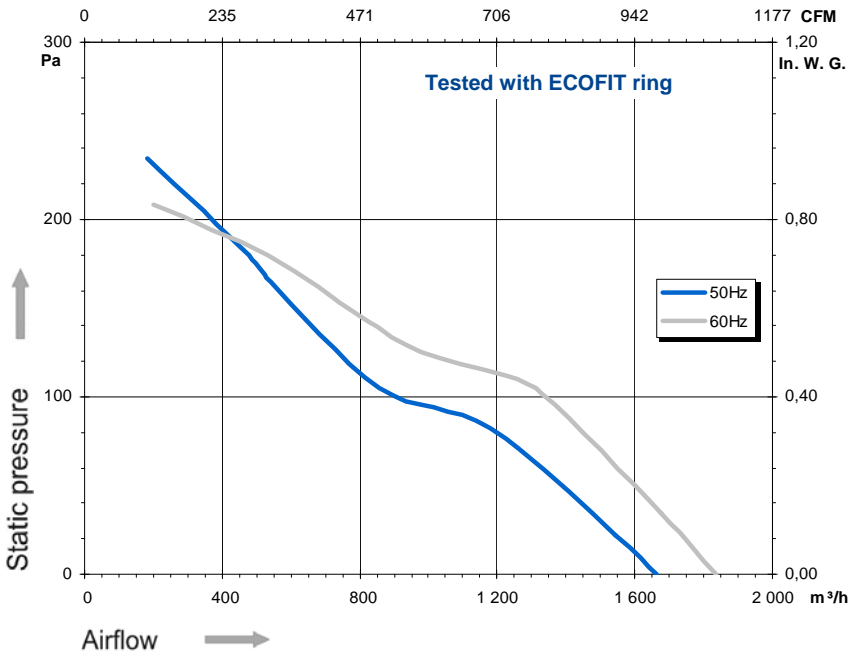
Voltage	Frequency	Input power	Current	Capacitor	Airflow	Speed rotation	Noise level	Rotation direction	Operating temperature	ErP 2013	ErP 2015
V	Hz	Wa	A	μF	m³/h	RPM	dBA	↻	Min / Max		
230	50	104	0,47	4,0	1 665	2 725	66	L	-20°C / +70°C	NA	NA
230	60	135	0,59	4,0	1 835	3 105	69	L	-20°C / +70°C		
230	50				980 CFM				-4°F / +158°F		
230	50				1080 CFM				-4°F / +158°F		

dBa : free let out

NA : Not Applicable



Non contractual document. All specifications are subject to change without prior notice. Picture for information only.



- Weight : 2,2 Kg
- Ball bearing
- Class F, thermally protected
- IP44 protection depending on installation and position as per EN60034-5
- G6.3 balancing
- Zinc coated impeller
- Rotor and impeller : black paint
- Finger guard : black paint



Capacitor for 50Hz	Capacitor for 60Hz	Connecting box	Connector
19019	19019	39658	09172

